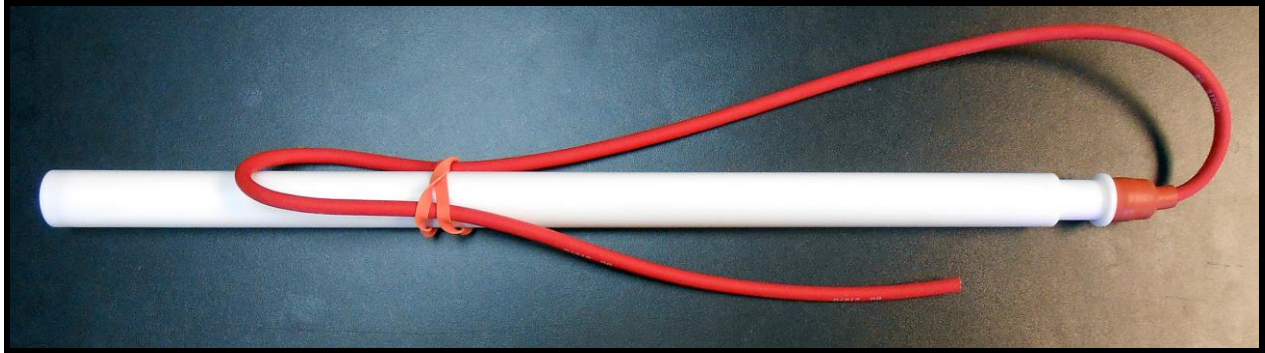
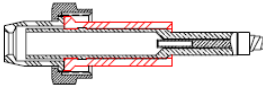
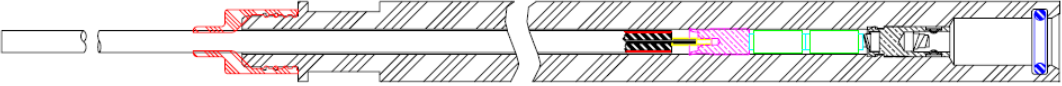


BG Quality Products

Lead Kit for ML Series Worthington Engines P/N 23910



CONSISTS OF:

QTY.	P/N	DESCRIPTION
1	21410	 COIL TERMINAL KIT (FITS ALTRONIC SHIELDED COILS)
1	23913	 SECONDARY LEAD ASSY. (FITS RW82P, ETC. SPARK PLUGS)



Important Assembly Note:

The coil kit P/N 21410 is shipped unassembled. The 7mm cable must be cut to the proper length in the field.

In order to assemble the coil kit, BG crimping tool P/N 21680 must be used to attach the stud to the 7mm cable – do not use pliers. Loctite ® #272 must be used to secure the cup/volute spring assembly to the stud.

The lead assembly P/N 23913 (w/o the coil end kit, can be purchased by itself). A version of P/N 23913 without resistors, P/N 25635 is available also.

BG[™]
The BG Service Co., Inc.
1400 Alabama Avenue
P.O. Box 2259
West Palm Beach, Florida 33402-2259
Phone (561) 659-1471
Fax (561) 659-1728
SALES@BGSERVICE.COM



Please visit our website at:
www.bgservice.com

**Quality Products for
Longer and Better
Service**